



Vestil Manufacturing Corp.
 2999 North Wayne Street, P.O. Box 507, Angola, IN 46703
 Telephone: (260) 665-7586 -or- Toll Free (800) 348-0868
 Fax: (260) 665-1339
 Web: www.vestilmfg.com e-mail: info@vestil.com

MCHT-350



Receiving Instructions

After delivery, remove the packaging from the product. Inspect the product closely to determine whether it sustained damage during transport. If damage is discovered, record a complete description of it on the bill of lading. If the product is undamaged, discard the packaging.

NOTE: The end-user is solely responsible for confirming that product design, use, and maintenance comply with laws, regulations, codes, and mandatory standards applied where the product is used.

Technical Service & Replacement Parts

For answers to questions not addressed in these instructions and to order replacement parts, labels, and accessories, call our Technical Service and Parts Department at (260) 665-7586. The Department can also be contacted online at <https://www.vestil.com/page-parts-request.php>.

Electronic Copies of Instruction Manuals

Additional copies of this instruction manual may be downloaded from <https://www.vestil.com/page-manuals.php>.

Table of Contents

	Page
Signal Words	2
Safety Instructions	2
Specifications	3
Exploded View and Bill of Materials	4
Using the Product	4
Record of Satisfactory Condition	5
Inspections & Maintenance	5
Labeling Diagram	5
Limited Warranty	6

SIGNAL WORDS

This manual uses SIGNAL WORDS to indicate the likelihood that a particular action will cause personal injuries or property damage. Signal words also specify the level of seriousness of injury if the product is misused in the ways described. The following signal words are used in this manual.



Identifies a hazardous situation which, if not avoided, **WILL** result in **DEATH** or **SERIOUS INJURY**. Use of this signal word is limited to the most extreme situations.



Identifies a hazardous situation which, if not avoided, **COULD** result in **DEATH** or **SERIOUS INJURY**.



Indicates a hazardous situation which, if not avoided, **COULD** result in **MINOR** or **MODERATE** injury.



Identifies practices likely to result in product/property damage, such as operation that might damage the product.

SAFETY INSTRUCTIONS

Vestil strives to identify all foreseeable hazards associated with the use of its products. Material handling is dangerous and no manual can address every conceivable risk. Ultimately, the most effective way to prevent injury is to apply sound judgment whenever using this device.

⚠ WARNING

Risks of serious personal injuries arise from using this device.

- **DO NOT use the hand truck until you read and understand the entire manual.** Read the manual to refresh your understanding of proper use and maintenance procedures whenever necessary.
- **STRONG MAGNETIC FIELDS!** Persons with medical implants, e.g. pacemakers, should remain at least 12in. (30cm) away from both magnets. Keep electronic devices, credit cards, and other items affected by strong magnetic fields away from the magnetic lifter.
- Avoid pinch points. The lifting magnets strongly attract ferromagnetic objects like iron and steel. Injuries could result from body parts getting between a magnet and an attracted object.
- DO NOT attempt to resolve any problem(s) with the product unless you are both authorized to do so and certain that it will be safe to use afterwards.
- DO NOT modify the product in any way UNLESS you first obtain written approval from Vestil. Unapproved modifications automatically void the LIMITED WARRANTY on p. 6 and might make the product unsafe to use.
- DO NOT exceed the capacity: 350 pounds (159kg). Capacity information is provided in on-product labeling. See Label 1153 in the LABELING DIAGRAM on p. 5.
- DO NOT use the hand truck unless it is in SATISFACTORY CONDITION. Inspect the frame, the magnet assemblies and the magnet brackets for damage, corrosion, and excessive wear before each use. Compare inspection results to the RECORD OF SATISFACTORY CONDITION on p. 5.
- DO NOT leave a cylinder unattended while it is attached to the magnet assemblies.
- DO NOT use the hand truck to lift or transport a cylinder UNLESS it is firmly engaged by both magnet assemblies. The cylinder should not roll or slide while engaged by the magnets. DO NOT move unstable loads with the hand truck.
- DO NOT transport people with the truck. Only use this device to move cylinders.
- DO NOT use this device UNLESS all product labels are readable and undamaged. See LABELING DIAGRAM.

NOTICE

Proper use, maintenance, and storage are essential for this product to function properly.

- Always use this product in accordance with the instructions in this manual and consistent with any training relevant to machines, devices, etc. used in conjunction with this product.
- Keep the product clean & dry. Lubricate moving parts.

SPECIFICATIONS

Specifications for MCHT hand trucks are provided on Vestil's website. To access the specifications document, navigate to this webpage: <https://www.vestil.com/product.php?FID=878> . Click the "Specifications" tab. Scroll the page to the entry for the model you purchased, and click the button in the PDF column that looks like a pencil inside a blue box. A PDF file will open. This file is the specifications document. Print a copy of the drawing and keep it with your copy of this manual. The following is an exemplar specifications document (16-007-355).

MAGNETIC CYLINDER HAND TRUCK - MCHT-350

APPROX WEIGHT: 104 LBS. lbs.
DOES NOT INCLUDE WEIGHT OF POWER OR PACKAGING!!!

ANY ADDITIONS, DELETIONS, OR OMISSIONS MUST BE CORRECTED ON THIS DRAWING AS THIS DRAWING WILL BE CONSIDERED ALL INCLUSIVE

ALL GRAPHICS PROVIDED ARE FOR REFERENCE ONLY. IF CERTAIN DIMENSIONS ARE CRITICAL PLEASE VERIFY THOSE DIMENSIONS WITH YOUR SALESPERSON

STANDARD FEATURES

MODEL NUMBER IS MCHT-350
CAPACITY IS 350LBS.
OVERALL WIDTH IS 18 11/16"
OVERALL HEIGHT IS 50 1/16"

SPECIAL FEATURES

NONE

APPROVAL

I, THE UNDERSIGNED, AGREE THAT THE PRODUCT AS REPRESENTED SATISFIES DESIGN AND DIMENSION REQUIREMENTS. I ALSO ACKNOWLEDGE MY DUTY TO CONFIRM PRODUCT AND INSTALLATION COMPLIANCE WITH ALL APPLICABLE FEDERAL, STATE AND LOCAL REGULATIONS AND STANDARDS.

ANY MODIFIED UNITS ARE NON-RETURNABLE

[] As drawn [] As marked

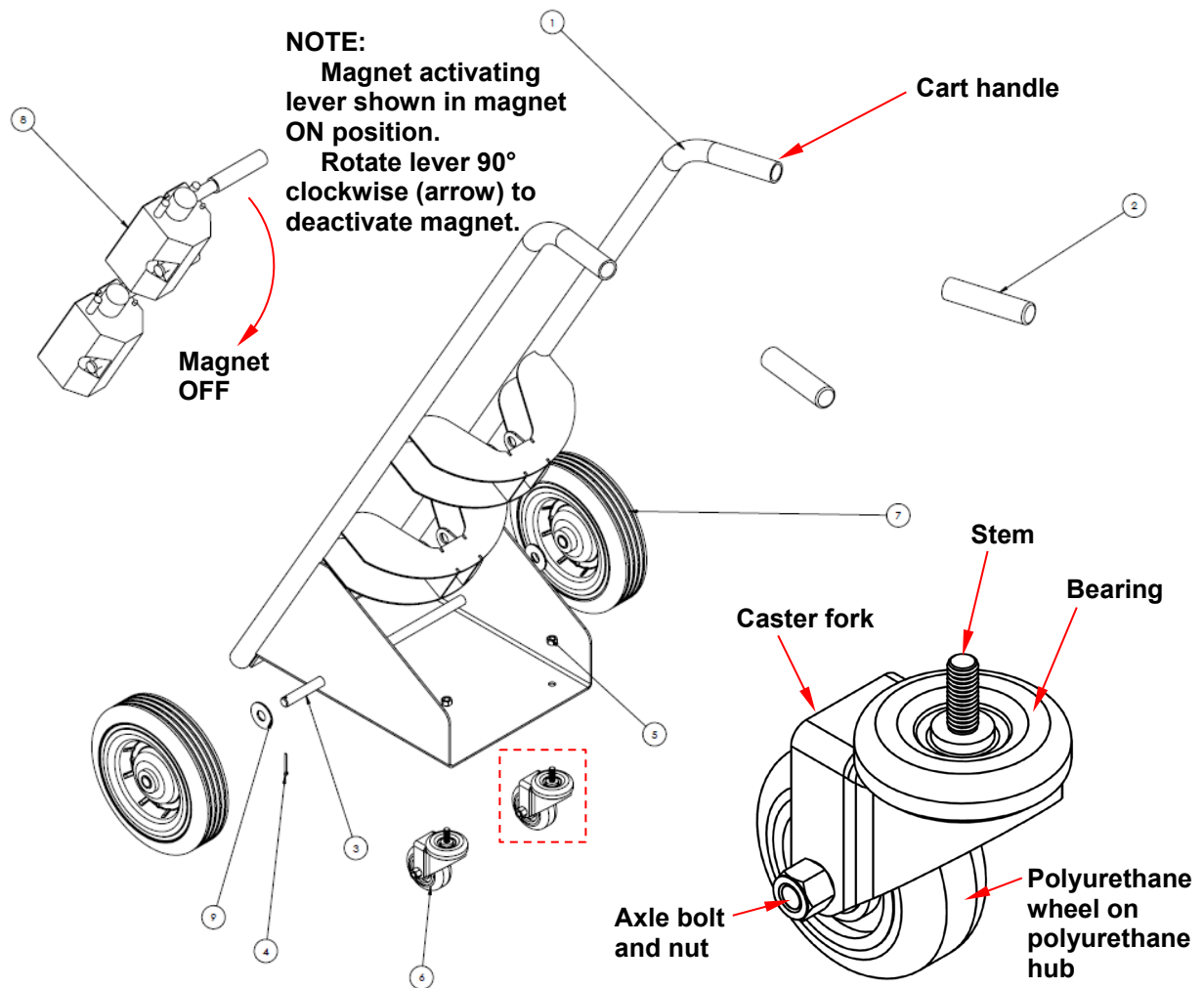
Signed: _____ Date: _____

Printed Name: _____

LEAD TIME WILL START UPON RECEIPT OF SIGNED APPROVAL DRAWING

FOR INTERNAL USE ONLY PROJECT SIGN OFF	DISTRIBUTOR'S NAME: VESTIL MANUFACTURING	P.O.# X	W.O.# X
SALES	DRAWN BY:	DATE:	SALES: X
ENG.	REFERENCE: X	SCALE: 1:11	FILE NAME:
FAB.	QUOTED LEAD TIME: X	QUOTE # X	16-007-355
POWER			

EXPLODED VIEW AND BILL OF MATERIALS (16-006-355)



ITEM NO.	PART NO.	DESCRIPTION	QTY.
1	16-514-223	FRAME WELDMENT	1
2	07-025-005	BLACK RUBBER HANDLE, 6"	2
3	16-112-031	AXLE, ROD	1
4	65078	EXTENDED PRONG COTTER PIN, ZINC FINISH, 1/8" X 1 1/2"	2
5	36106	HEX NUT, GRADE A, ZINC PLATED, 3/8-16	2
6	16-132-164	FRONT CASTER, 3" x 1.25" POLY ON POLY STEM SWIVEL	2
7	16-132-310	WHEEL, 10" X 2 1/2", 16MM STEEL HUB	2
8	49-001-026	MAGNETIC LIFTER	2
9	33016	FLAT WASHER, LOW CARBON, USS, ZINC PLATED, 5/8"	2

USING THE PRODUCT

NOTE: Numbers in parentheses () correspond to item numbers in the exploded view and bill of materials.

Position the cylinder truck next to the cylinder. Make sure that the magnets are OFF. See NOTE in [EXPLODED VIEW](#) (above).

Push the cart handles away from you (towards the cylinder) to bring the magnets into contact with the side of the cylinder. The casters will lift off of the ground.

Turn the magnet activating levers to the ON position (counterclockwise) to engage the cylinder.

Slowly ease the casters back onto the ground.

Push the truck to the desired location. To unload the cylinder, pivot the truck forward until the bottom of the cylinder contacts the ground. Make sure that the cylinder is vertical to prevent wobbling when the magnets are disengaged. Rotate the magnet levers clockwise to the OFF position to deactivate the magnets and release the cylinder.

RECORD OF SATISFACTORY CONDITION (THE “RECORD”)

After the unit is assembled and/or installed, make a detailed record of its condition. Include observations about all features: welds, frame elements, axle rod, magnetic lifters, fasteners (bolts, nuts, washers, etc.) and casters and wheels. Thoroughly photograph the unit from multiple angles so that all features are clearly imaged. Include close range photographs of both magnetic lifters and all labels applied to the product. Describe where each label is located. Collect the photographs and writings in a single file. This file is a record of the product in satisfactory condition. Compare the results of each inspection to this *RECORD* to determine whether the unit is in satisfactory condition. Do not use the product unless it is in satisfactory condition.

INSPECTIONS AND MAINTENANCE

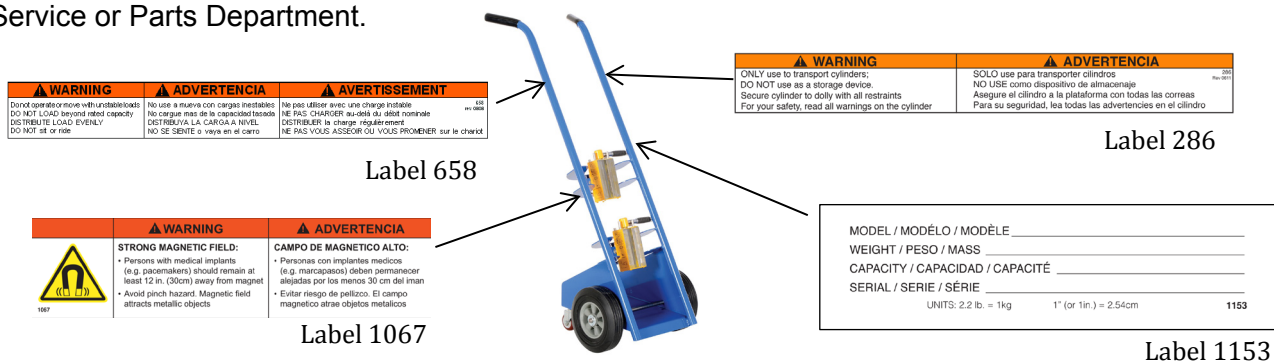
Compare inspection results to the [RECORD](#). Do not continue to use the product unless every component is in [SATISFACTORY CONDITION](#). Cosmetic changes, like damaged paint/powder coat do not constitute changes from satisfactory condition. However, touchup paint should be applied to all affected areas as soon as damage occurs. Contact [TECHNICAL SERVICE](#) to order replacement parts. Contact information is provided on the cover page of this manual.

Inspect the following at least once per month: [Numbers in parentheses () correspond to item numbers in the [EXPLODED VIEW AND BILL OF MATERIALS](#) on p. 4.

1. Surfaces – Clean dirt and debris from the surfaces.
2. Hardware, fasteners – Examine hardware & fasteners (axle, bolts, nuts, pins, & clips). Replace damaged components.
3. Examine the frame (1) for wear, breaks, corrosion/rust, metal fatigue, and other forms of damage (e.g. impact damage).
4. Wheels and casters – Inspect both wheels (7) are securely pinned to the axle pin. Make sure that wheel tread is not cracked or dry-rotted. Examine the wheels and wheel hubs for cracks, and other damage. The casters must be tightly fastened to the frame. Tighten the hex nuts, if necessary. Examine the caster forks, wheels, and wheel hubs for cracks, bends, and other damage. Check the axle bolt and nut of each caster. Push the truck a short distance. The truck should not wobble while rolling.
5. Magnetic lifters – Confirm that the lifters turn on and off under the control of the activating levers.
6. Labels – Replace damaged labels. Replace a label if it is not easily readable from a reasonable distance.
7. Overall structure – Examine the whole structure for rusting or metal erosion, rot, thinned regions. In particular, examine pivot points, and ground-contacting elements. If rusting is purely superficial, remove the rust/corrosion. Clean the affected area and apply touchup paint. If rusting, rot, or thinning has weakened the material, contact [TECHNICAL SERVICE](#) for advice.

LABELING DIAGRAM

Label content and locations are subject to change so your product might not be labeled exactly as shown. Compare this diagram to the [RECORD](#). If differences exist between the diagram and the [RECORD](#), contact [TECHNICAL SERVICE](#). Replace all labels that are damaged, missing, or not easily readable (e.g. faded). To order replacement labels, contact the technical service and parts department online at http://www.vestilmfg.com/parts_info.htm. Alternatively, you may request replacement parts and/or service by calling (260) 665-7586 and asking the operator to connect you to the Technical Service or Parts Department.





LIMITED WARRANTY

Vestil Manufacturing Corporation (“Vestil”) warrants this product to be free of defects in material and workmanship during the warranty period. Our warranty obligation is to provide a replacement for a defective, original part covered by the warranty after we receive a proper request from the Warrantee (you) for warranty service.

Who may request service?

Only a warrantee may request service. You are a warrantee if you purchased the product from Vestil or from an authorized distributor AND Vestil has been fully paid.

Definition of “original part”?

An original part is a part used to make the product as shipped to the Warrantee.

What is a “proper request”?

A request for warranty service is proper if Vestil receives: 1) a photocopy of the Customer Invoice that displays the shipping date; AND 2) a written request for warranty service including your name and phone number. Send requests by one of the following methods:

<u>US Mail</u>	<u>Fax</u>	<u>Email</u>
Vestil Manufacturing Corporation 2999 North Wayne Street, PO Box 507 Angola, IN 46703	(260) 665-1339 <u>Phone</u> (260) 665-7586	info@vestil.com Enter “Warranty service request” in subject field.

In the written request, list the parts believed to be defective and include the address where replacements should be delivered. After Vestil receives your request for warranty service, an authorized representative will contact you to determine whether your claim is covered by the warranty. Before providing warranty service, Vestil will require you to send the entire product, or just the defective part (or parts), to its facility in Angola, IN.

What is covered under the warranty?

The warranty covers defects in the following original, dynamic parts: motors, hydraulic pumps, motor controllers, and cylinders. It also covers defects in original parts that wear under normal usage conditions (“wearing parts”), such as bearings, hoses, wheels, seals, brushes, and batteries.

How long is the warranty period?

The warranty period for original dynamic components is 90 days. For wearing parts, the warranty period is 90 days. Both warranty periods begin on the date Vestil ships the product to the Warrantee. If the product was purchased from an authorized distributor, the periods begin when the distributor ships the product. Vestil may, at its sole discretion, extend a warranty period for products shipped from authorized distributors by up to 30 days to account for shipping time.

If a defective part is covered by the warranty, what will Vestil do to correct the problem?

Vestil will provide an appropriate replacement for any *covered* part. An authorized representative of Vestil will contact you to discuss your claim.

What is not covered by the warranty?

The Warrantee (you) are responsible for paying labor costs and freight costs to return the product to Vestil for warranty service.

Events that automatically void this Limited Warranty.

- Misuse;
- Negligent assembly, installation, operation or repair;
- Installation/use in corrosive environments;
- Inadequate or improper maintenance;
- Damage sustained during shipping;
- Collisions or other accidents that damage the product;
- Unauthorized modifications: Do not modify the product IN ANY WAY without first receiving written authorization from Vestil.

Do any other warranties apply to the product?

Vestil Manufacturing Corp. makes no other express warranties. All implied warranties are disclaimed to the extent allowed by law. Any implied warranty not disclaimed is limited in scope to the terms of this Limited Warranty. Vestil makes no warranty or representation that this product complies with any state or local design, performance, or safety code or standard. Noncompliance with any such code or standard is not a defect in material or workmanship.